

Description:

- DC Voltage in volts (RX)
- AC Voltage- pk-pk / measured with scope
- DC Voltage in volts (TX)
- AC Voltage- pk-pk (TX) / measured with scope

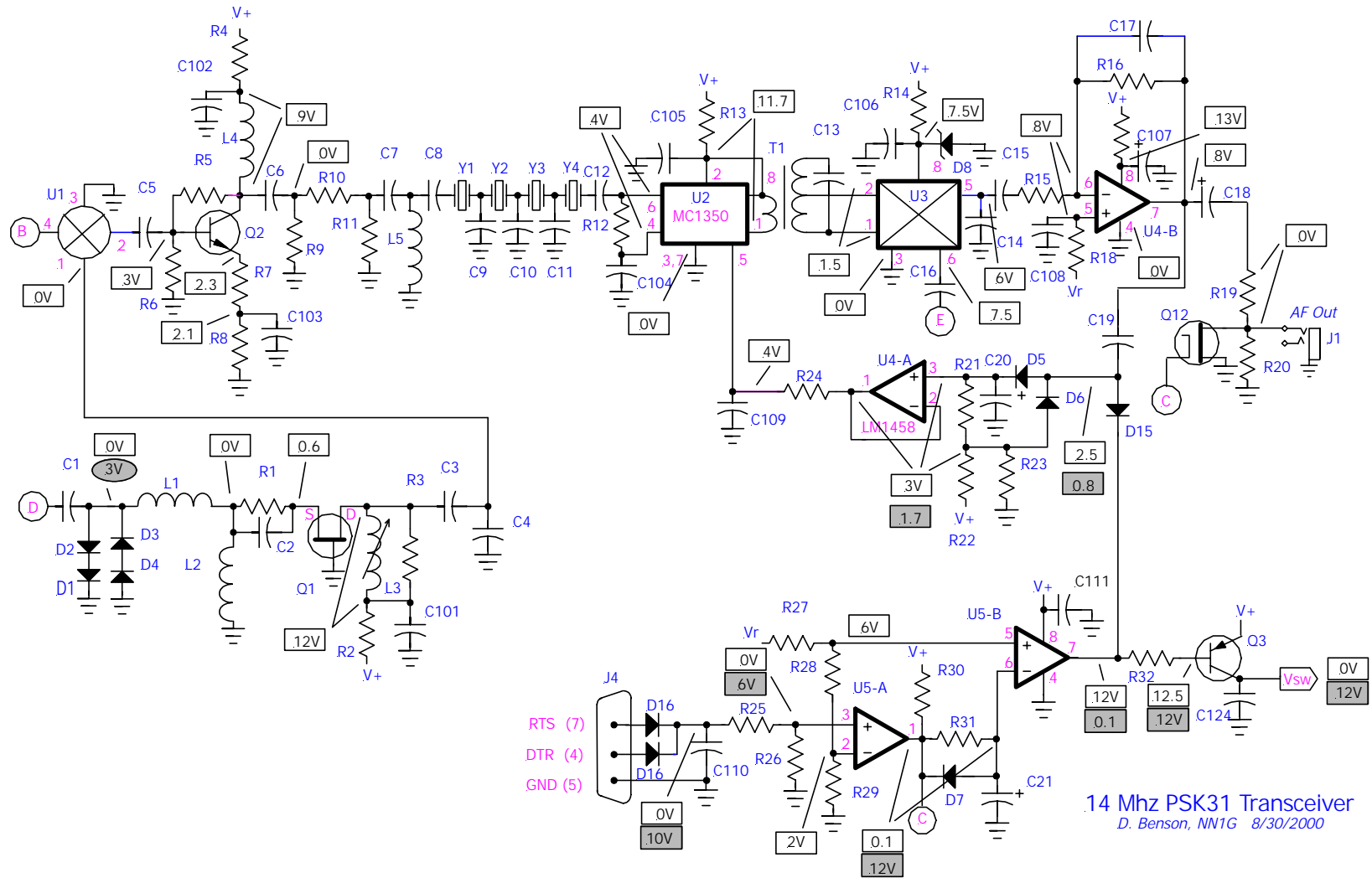
If no shaded measurement shown, 'TX' and 'RX' values are identical.

* Reading not available- probe stops oscillation

14 Mhz PSK31 Transceiver
D. Benson, NN1G 8/29/2000

Measure at C32 (right)

J6 ANT.
~1.5-2V if LED installed



14 Mhz PSK31 Transceiver
 D. Benson, NN1G 8/30/2000