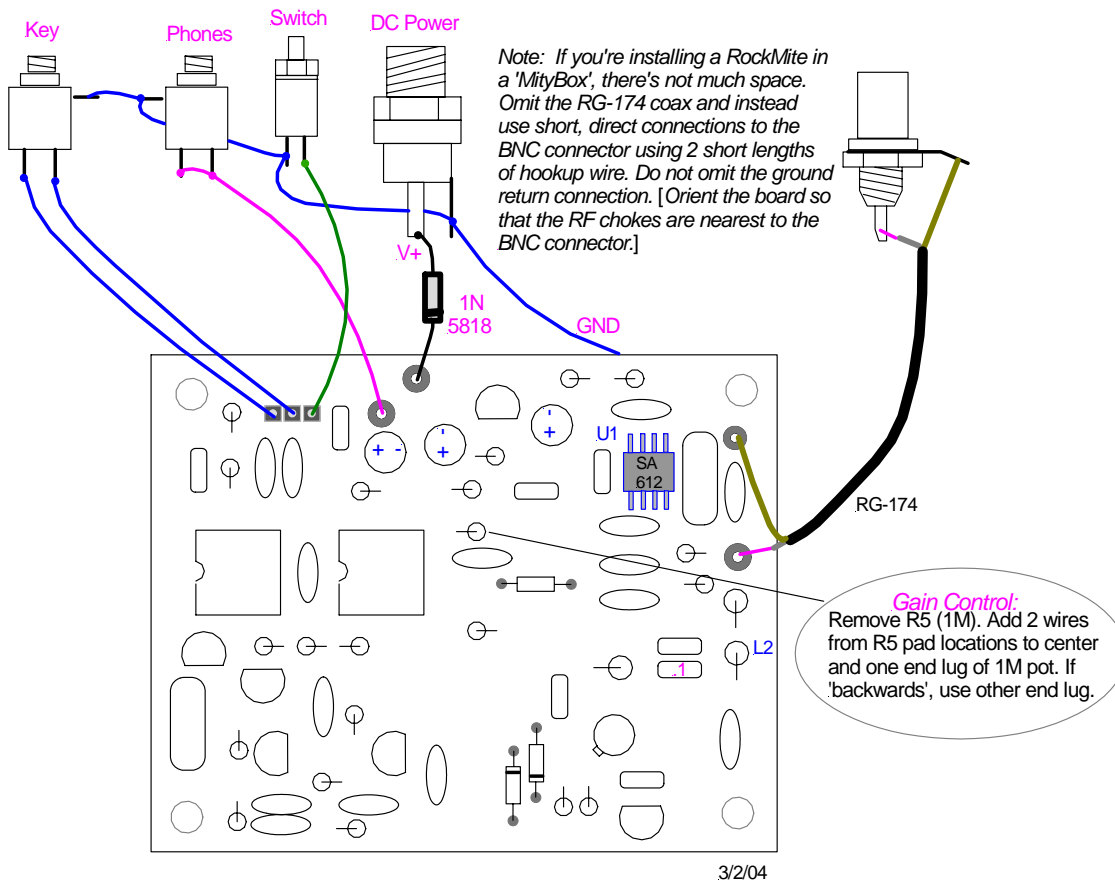


RockMite

Connectors/controls set

Quantity	Description	Part number (ref. only)
1	BNC	161-9323
1	Power jack	163-4304
1	Power plug	1710-2131
1	18" (0.6m) power wire	100280
1	1N5818 diode	625-1N5818
1	1 Meg. potentiometer	31JN601
1	small knob	450-2035
2	3.5 (1/8") mm connector	161-3402
1	10-conductor ribbon wire <i>-colors may vary-</i>	R007
1	Submin. pushbutton switch	10PA019



Rock-mite hookup- pictorial
Connector placements can vary to suit the builder's enclosure

See the RockMite supplement, available online at <http://smallwonderlabs.com/RMhelps.pdf> for hookup information. Contact me if you need replacement parts:

Dave Benson, K1SWL dave@smallwonderlabs.com 32 Mountain Road, Colchester, CT 06415 tel 860-537-8031